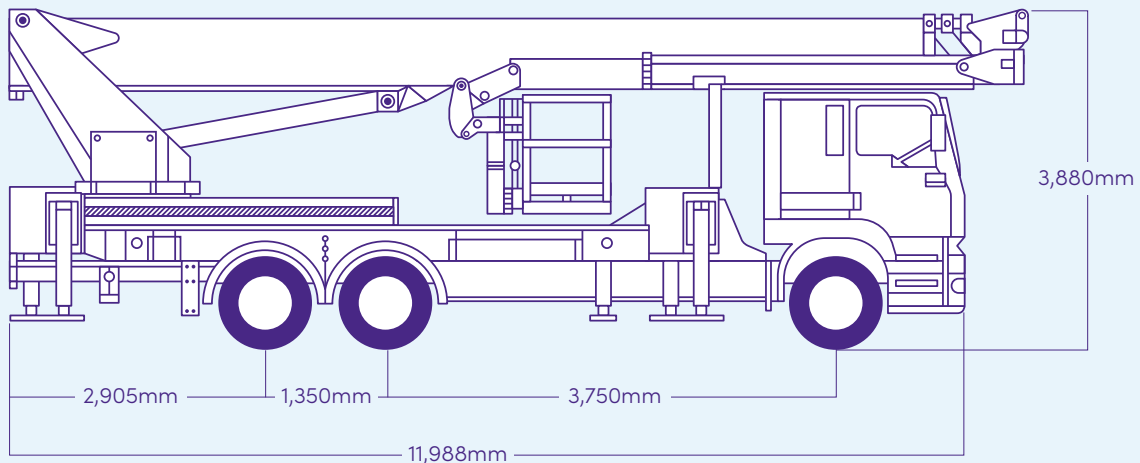


Palfinger P530

Truck mounted access platform



Specialist Work at Height Solution with Exceptional Height / Outreach Combination

Ideal for Special Events, Windfarms or High Rise Buildings.

The 53m Palfinger is a proven workhorse capable of delivering on even the most testing of assignment. Operated by a qualified and experienced professional the unit provides a strong and stable work platform with the option of covering high profile sporting events, festivals and significant occasions.

The unit has proven flexibility and can use its exceptional outreach capabilities to access even the most difficult areas.

Standard equipment

26 Tonne

Operator Supplied as Standard

600kg (Approx 7 Persons plus tools) SWL

Extendable Working Cage up to 3.88m

Fully Variable H Frame Jacking - Full, One Sided and Narrow Jacking Options

Automatic Jacking & Cage Levelling

Cage Rotation 540 degrees

230/110v to Cage - Generator Required

Optional equipment

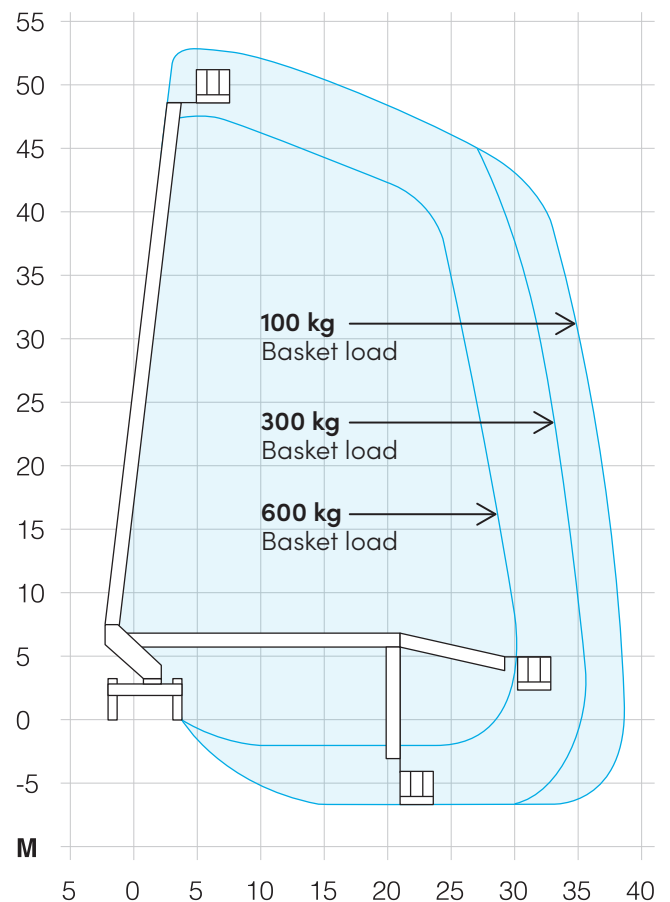
Load Lift System

Palfinger P530

Truck mounted access platform

Technical specification

Model	Palfinger P530
Max Working Height	53m
Max Side Outreach	38.3m
Max Negative Height	7m below ground
Travel Length	12m
Travel Width	2.5m
Travel Height	3.9m
Vehicle Weight	26 tonnes
Max Outrigger Width	
Fully Jacked	8.67m
One-sided Jacked	5.58m
Narrow Jacked	2.5m
Outrigger Loading	
Max Outrigger Force	195kN
Max Footplate Pressure with Manufacturer Supplied Ground Boards	4.16kg/cm square
Max Wind Speed	12.5m per second
Noise Level at Engine	104dB
Max Safe Working Load	600kg
Max Permissible Side Force	400 Newtons



For more information, or to hire this vehicle please contact;

☎ 0161 233 8100

✉ info@nssgroup.com