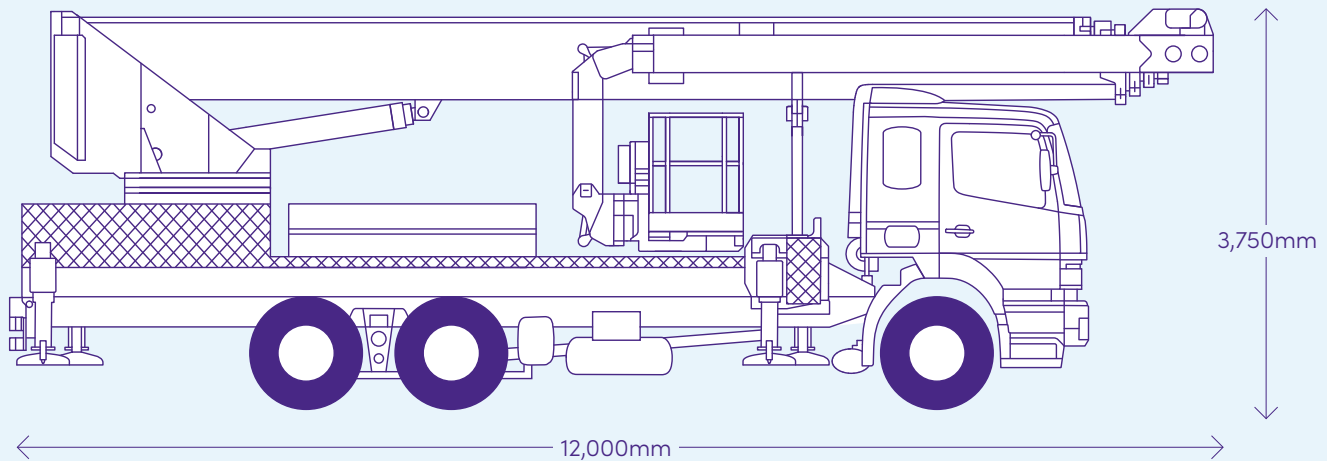


Bronto S52 XDT

Truck mounted access platform



Specialist Work at Height Solution for day to day requirements

The 52m Bronto XDT is a proven workhorse capable of delivering on even the most testing of assignment. Operated by a qualified and experienced professional the unit provides a strong and stable work platform with the option of covering high profile sporting events, festivals and significant occasions.

The unit comes in our trademark green livery with minimal corporate lettering - to ensure that it blends into the background.

Standard equipment

26 Tonne

Operator Supplied as Standard

700kg (Approx 8 Persons plus tools) SWL

Extendable Working Cage up to 3.7m

Fully Variable H Frame Jacking - Full, One Sided and Narrow Jacking Options

Automatic Jacking & Cage Levelling with Remote Control

Cage Rotation 90 degrees

230/110v to Cage - Generator Required

Optional equipment

Camera Cage 200kg SWL

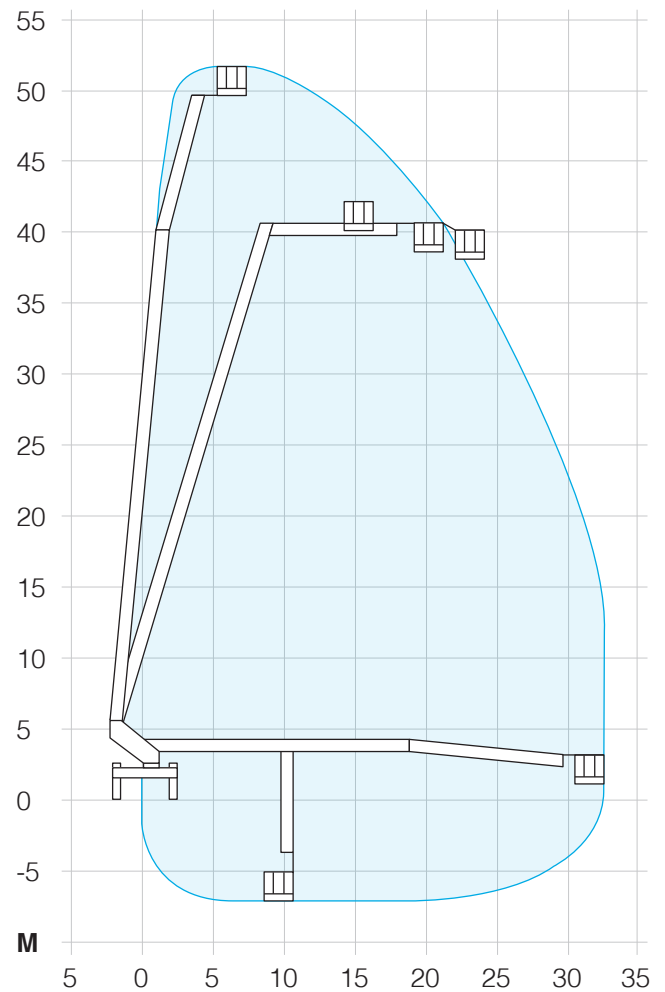
RF Feed Rig Attachment

Bronto S52 XDT


Truck mounted access platform


Technical specification

Model	Bronto S52 XDT
Max Working Height	51.5m
Max Side Outreach	34m
Max Negative Height	6.5m below ground
Travel Length	12m
Travel Width	2.5m
Travel Height	3.75m
Vehicle Weight	26 tonnes
Max Outrigger Width	
Fully Jacked	8m
One-sided Jacked	6.5m
Narrow Jacked	4.5m
Outrigger Loading	
Max Outrigger Force	190kN
Max Footplate Pressure	11.7kg/cm square
Max Footplate Pressure with Manufacturer Supplied Ground Boards	2.7kg/cm square
Max Wind Speed	12.5m per second
Noise Level at Engine	<85dB
Max Safe Working Load	600kg
Max Permissible Side Force	400 Newtons



For more information, or to hire this vehicle please contact;

 0161 233 8100

 info@nssgroup.com



nss **NATIONWIDE
SPECIALIST
SERVICES**

NSS Head Office:

239 Ashley Rd, Hale, Altrincham, Greater Manchester WA15 9NE

T: 0161 233 8100 E: info@nssgroup.com nssgroup.com

Locations; Manchester / Leeds / Slough / Falkirk / Dartford