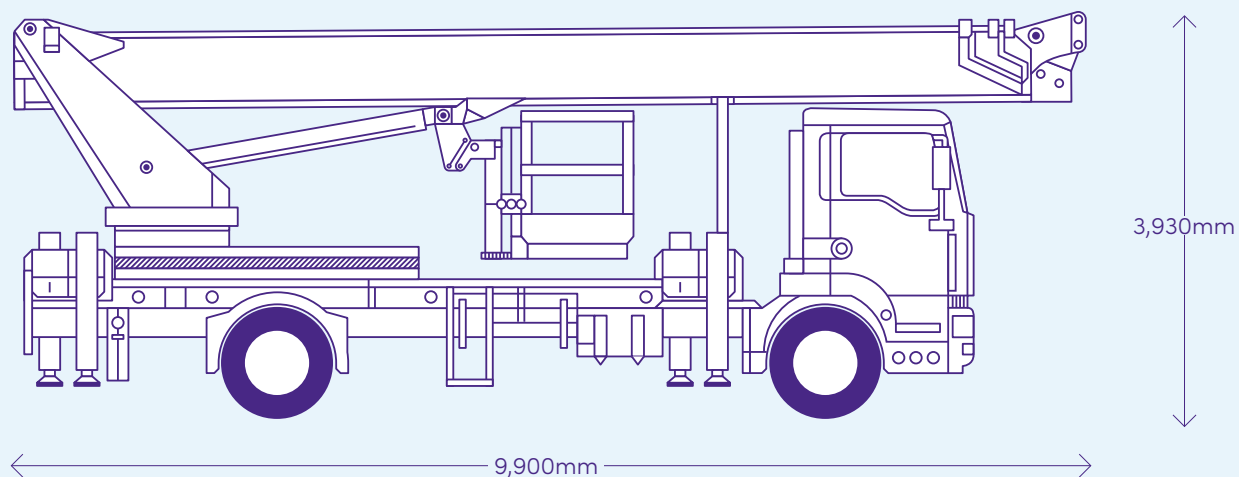


Palfinger P480

Truck mounted access platform



Specialist Work at Height Solution with hydraulically operated X Jib

Specifically designed for providing access to roofs and difficult to access areas.

The 48m Palfinger is a proven workhorse capable of delivering on even the most testing of assignment. Operated by a qualified and experienced professional the unit provides a strong and stable work platform with the ability to go “up & over” roofs.

This unit also has excellent negative height capabilities meaning it can be safely used for Underbridge Inspections and repairs.

Standard equipment

18 Tonne

Operator Supplied as Standard

600kg (Approx 7 Persons plus tools) SWL

Extendable Working Cage up to 3.88m

Fully Variable H Frame Jacking - Full, One Sided and Narrow Jacking Options

Automatic Jacking & Cage Levelling

Cage Rotation 540 degrees

230/110v to Cage - Generator Required

Optional equipment

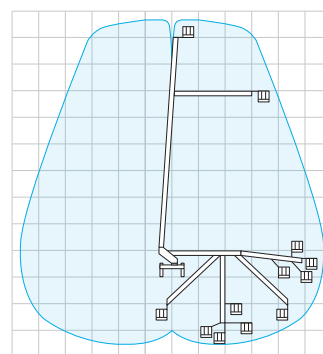
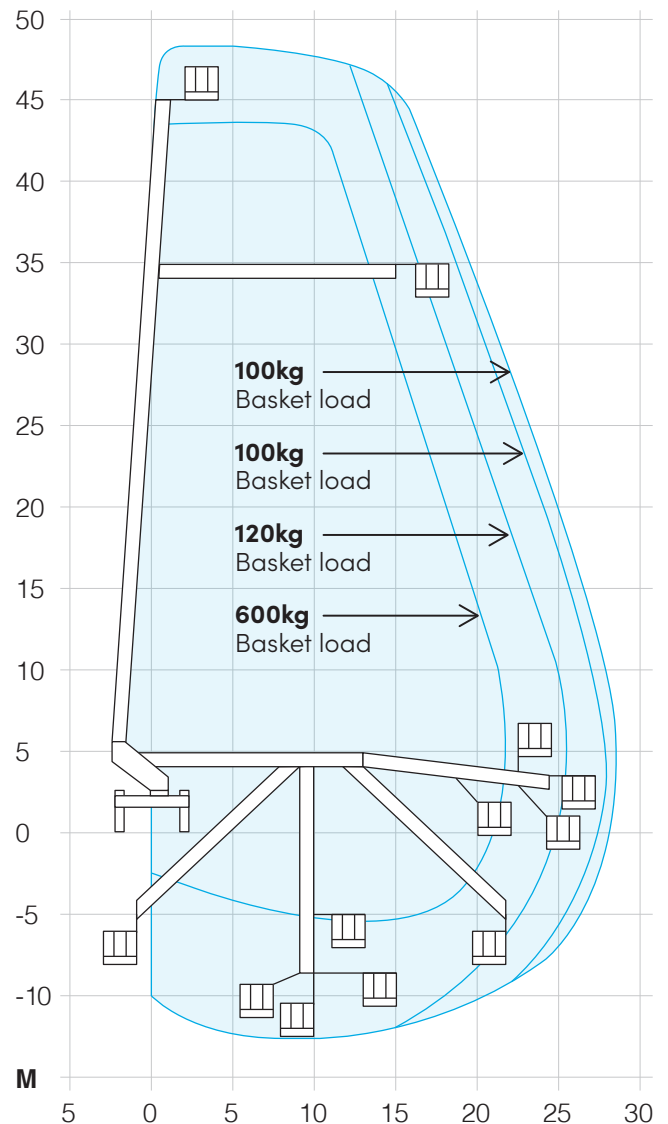
Power Lift System

Palfinger P480

Truck mounted access platform

Technical specification

Model	Palfinger P480
Max Working Height	48m
Max Side Outreach	28m
Max Negative Height	11m below ground
Travel Length	9.9m
Travel Width	2.5m
Travel Height	3.93m
Vehicle Weight	18 tonnes
Max Outrigger Width	
Fully Jacked	6.3m
One-sided Jacked	4.4m
Narrow Jacked	2.5m
Outrigger Loading	
Max Outrigger Force	160kN
Max Footplate Pressure with Manufacturer Supplied Ground Boards	3.41kg/cm square
Max Wind Speed	12.5m per second
Noise Level at Engine	104dB
Max Safe Working Load	600kg
Max Permissible Side Force	400 Newtons



The 48m Palfinger's full range of movement can be seen in the graph

For more information, or to hire this vehicle please contact;

☎ 0161 233 8100

✉ info@nssgroup.com