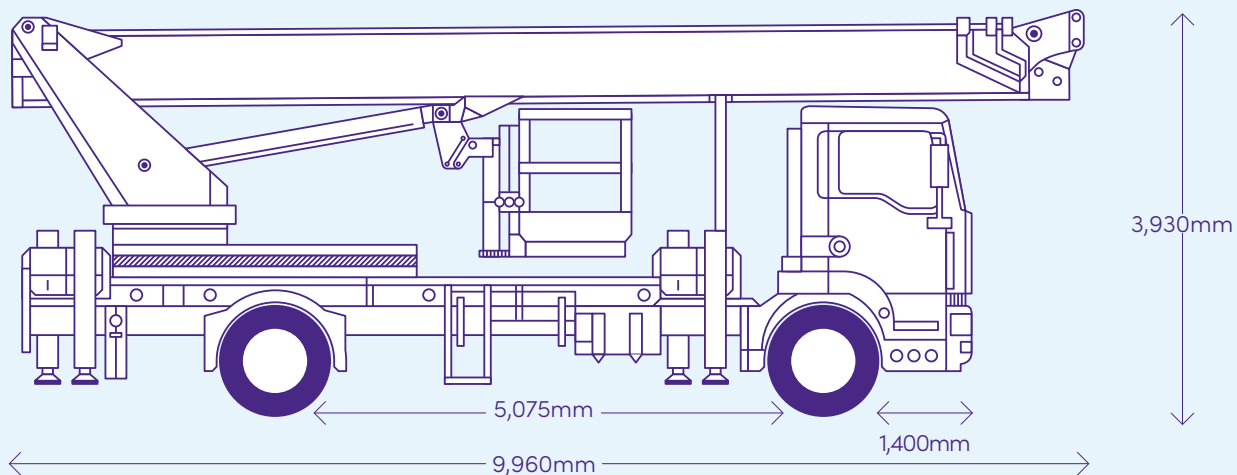


# Palfinger P450

Truck mounted access platform



## Specialist Work at Height Solution

The 45m Palfinger is a proven workhorse capable of delivering on even the most testing of assignment. Operated by a qualified and experienced professional the unit provides a strong and stable work platform capable of being used in a variety of work environments and various industries.

This is one of the most flexible and capable machines on the market.

## Standard equipment

18 Tonne

Operator Supplied as Standard

700kg (Approx 8 Persons plus tools) SWL

Extendable Working Cage up to 3.88m

Fully Variable H Frame Jacking - Full, One Sided and Narrow Jacking Options

Automatic Jacking & Cage Levelling

Slew Rotation 540 degrees

Cage Rotation 80 + 80 degrees

230/110v to Cage - Generator Required

## Optional equipment

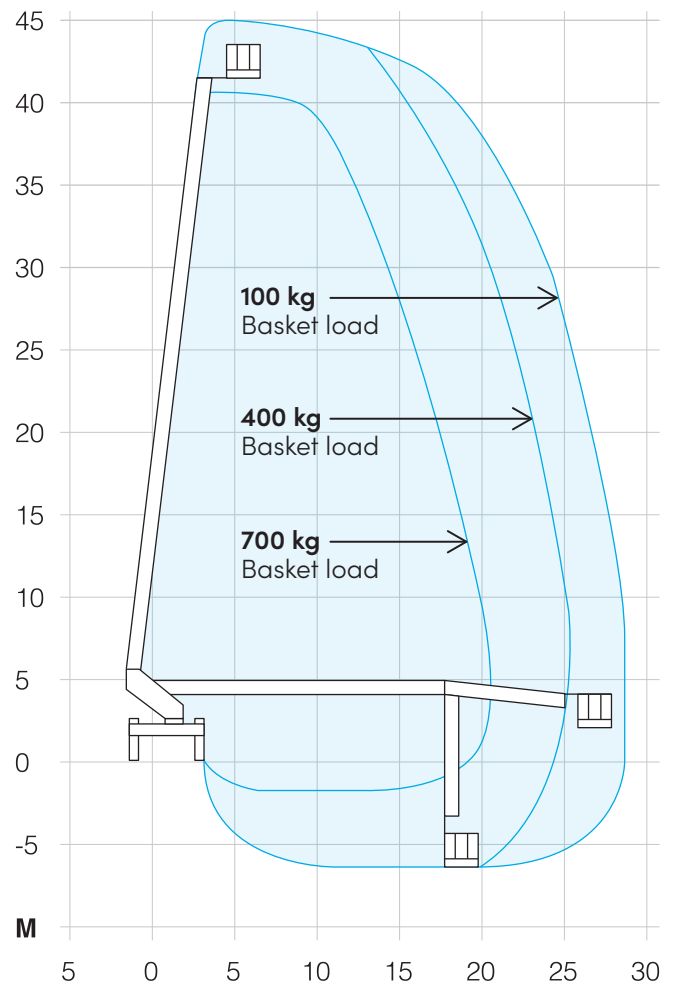
Power Lift System

# Palfinger P450

## Truck mounted access platform

### Technical specification

Model	<b>Palfinger P450</b>
Max Working Height	<b>45m</b>
Max Side Outreach	<b>28.5m</b>
Max Negative Height	<b>6m below ground</b>
Travel Length	<b>9.9m</b>
Travel Width	<b>2.5m</b>
Travel Height	<b>3.93m</b>
Vehicle Weight	<b>18 tonne</b>
<b>Max Outrigger Width</b>	
Fully Jacked	<b>6.3m</b>
One-sided Jacked	<b>4.4m</b>
Narrow Jacked	<b>2.5m</b>
<b>Outrigger Loading</b>	
Max Outrigger Force	<b>160kN</b>
Max Footplate Pressure with Manufacturer Supplied Ground Boards	<b>3.41kg/cm square</b>
Max Wind Speed	<b>12.5m per second</b>
Noise Level at Engine	<b>104dB</b>
Max Safe Working Load	<b>700kg</b>
Max Permissible Side Force	<b>400 Newtons</b>



For more information, or to hire this vehicle please contact;

☎ 0161 233 8100

✉ [info@nssgroup.com](mailto:info@nssgroup.com)



#### NSS Head Office:

239 Ashley Rd, Hale, Altrincham, Greater Manchester WA15 9NE

T: 0161 233 8100 E: [info@nssgroup.com](mailto:info@nssgroup.com) [nssgroup.com](http://nssgroup.com)

Locations; Manchester / Leeds / Slough / Falkirk / Dartford