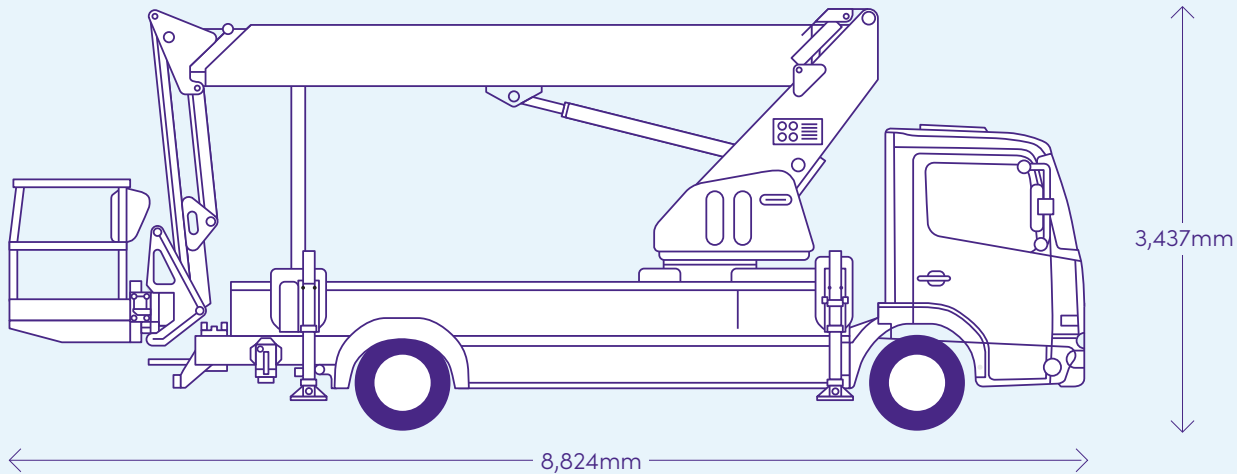


Ascendant 22:17

Truck mounted access platform



Specialist Work at Height Solution

The 22m Ascendant is a proven workhorse capable of delivering on even the most testing of assignment. Available on both an Operated and Self drive basis, the unit provides a strong and stable work platform capable of being used in a variety of work environments and various industries.

This is one of the most flexible and capable 7.5 tonne machines on the market.

Standard equipment

7.5 Tonne

Operator or Self Drive** (Category C1 entitlement required and appropriate insurances)

280kg (Approx 2-3 Persons plus tools) SWL

Fixed Working Cage 1.8m

Fully Variable H Frame Jacking - Full, One Sided and Narrow Jacking Options

Automatic Cage Levelling

Slew Rotation 160 degrees

Cage Rotation 80 + 80 degrees

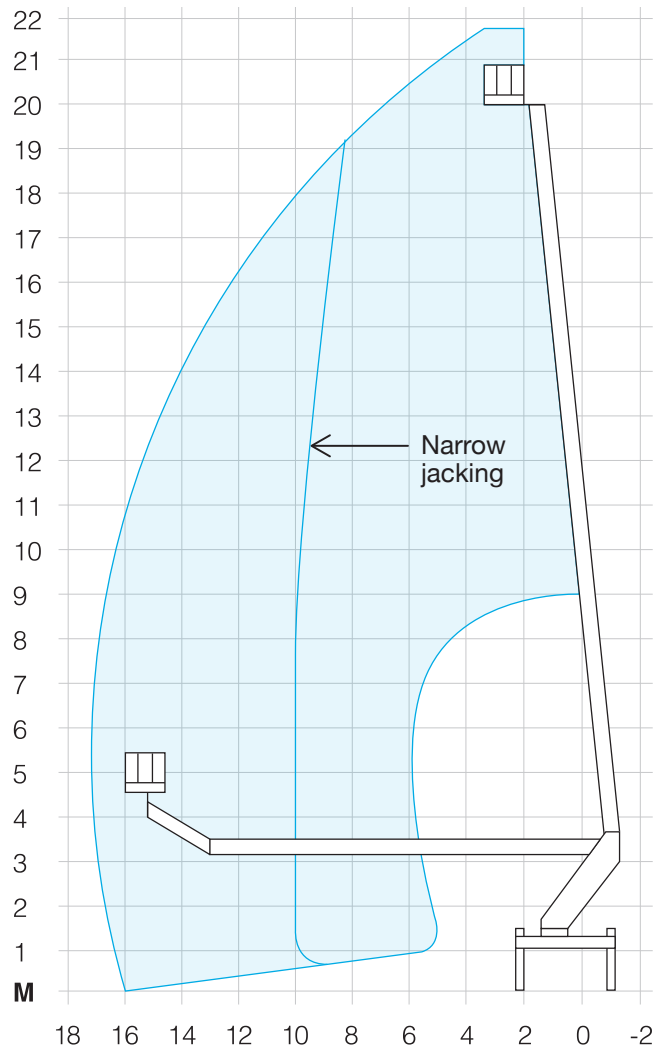
230/110v to Cage - Generator Required

Ascendant 22:17


Truck mounted access platform


Technical specification

Model	Ascendant 22:17
Max Working Height	22m
Max Side Outreach	17m
Travel Length	8.9m
Travel Width	2.5m
Travel Height	3.43m
Vehicle Weight	7.5 tonne
Max Outrigger Width	
Fully Jacked	4.1m
One-sided Jacked	3.5m
Narrow Jacked	2.5m
Outrigger Loading	
Max Outrigger Force	60kN
Max Wind Speed	12.5m per second
Noise Level at Engine	85dB
Max Safe Working Load	350kg
Max Permissible Side Force	400 Newtons



For more information, or to hire this vehicle please contact;

 0161 233 8100

 info@nssgroup.com

