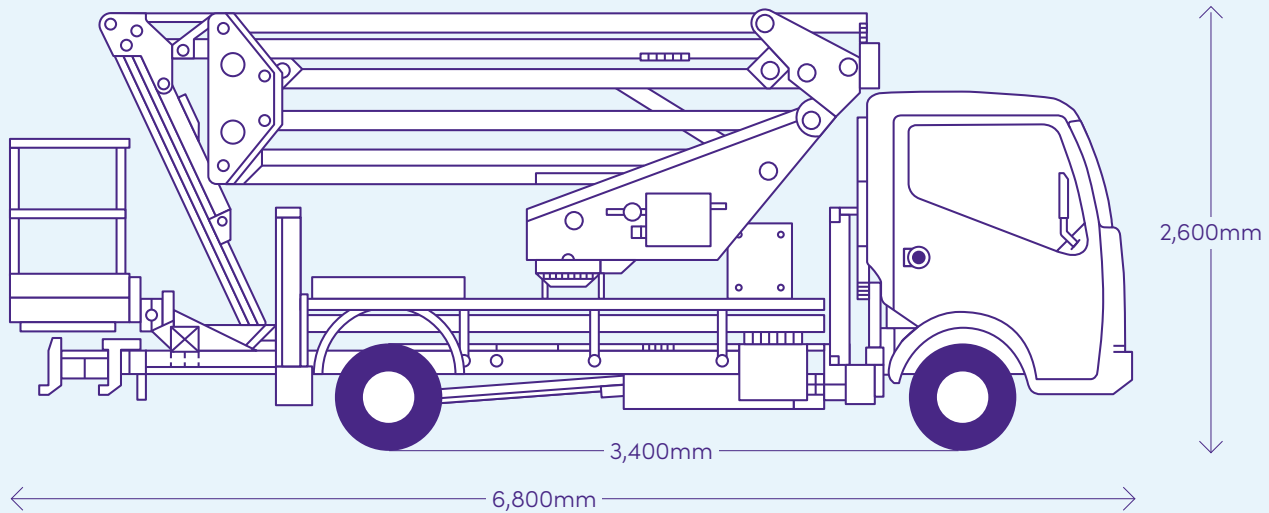


# CTE ZED 21JH

Truck mounted access platform



## Specialist Work at Height Solution

The 21m CTE provides exceptional flexibility when dealing with work at height problems. Available on both an Operated and Self drive basis, the unit provides a strong and stable work platform capable of being used in a variety of work environments and various industries.

This is one of the most flexible and capable 3.5 tonne machines on the market.

## Standard equipment

3.5 Tonne

Operator or Self Drive\*\* (Category B entitlement required and appropriate insurances)

300kg (Approx 2-3 Persons plus tools) SWL

Fixed Working Cage 1.4m

Fixed H Frame Jacking

Automatic Cage Levelling

Slew Rotation 360 degrees

Cage Rotation 65 + 65 degrees

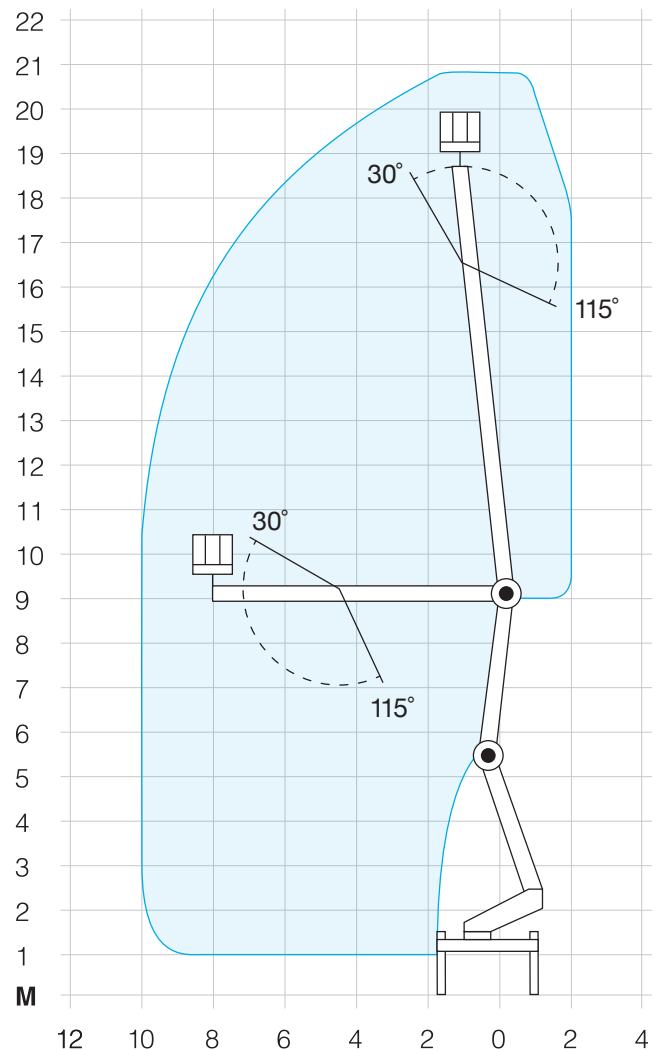
230/110v to Cage - Generator Required

# CTE ZED 21JH

Truck mounted access platform

## Technical specification

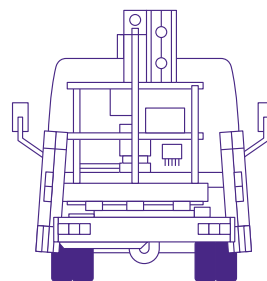
Model	<b>CTE ZEF 21JH</b>
Max Working Height	<b>20.7m</b>
Max Side Outreach	<b>10m</b>
Travel Length	<b>6.8m</b>
Travel Width	<b>2.3m</b>
Travel Height	<b>2.6m</b>
Vehicle Weight	<b>3.5 tonne</b>
<b>Max Outrigger Width</b>	
Fully Jacked	<b>3m</b>
<b>Outrigger Loading</b>	
Max Outrigger Force	<b>30kN</b>
Max Wind Speed	<b>12.5m per second</b>
Noise Level at Engine	<b>95dB</b>
Max Safe Working Load	<b>350kg</b>
Max Permissible Side Force	<b>400 Newtons</b>



For more information, or to hire this vehicle please contact;

0161 233 8100

info@nssgroup.com



← 2,100mm →

