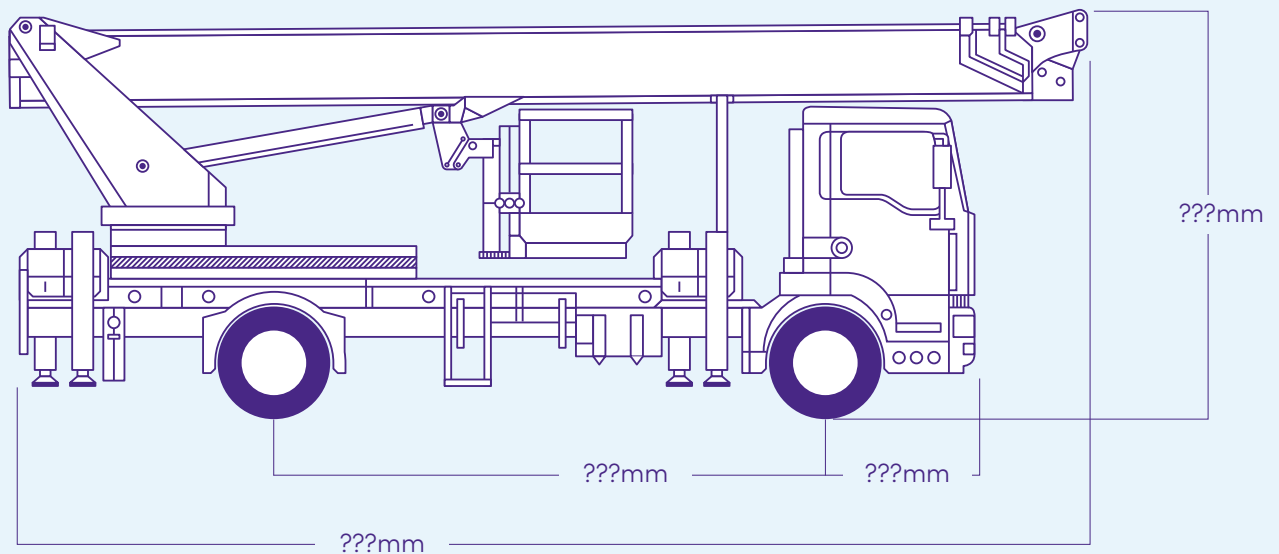


48 metre Palfinger

18 tonne GVW (Operated Only)

The unique manoeuvrability of the 48 m Palfinger is all thanks to the additional jib boom. The hydraulically operated X-jib between the upper boom and the workman basket gives the access platform with a 240° movement radius unparalleled abilities when it comes to assuming a precise position high up in the air.

The 48 m Palfinger is ideal for all types of roof work, building's maintenance and facilities management. It's exceptional configuration combined with a gross vehicle weight of 18 tonnes makes it a flexible but solid work-horse.

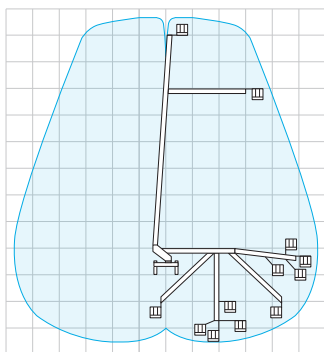


48 metre Palfinger

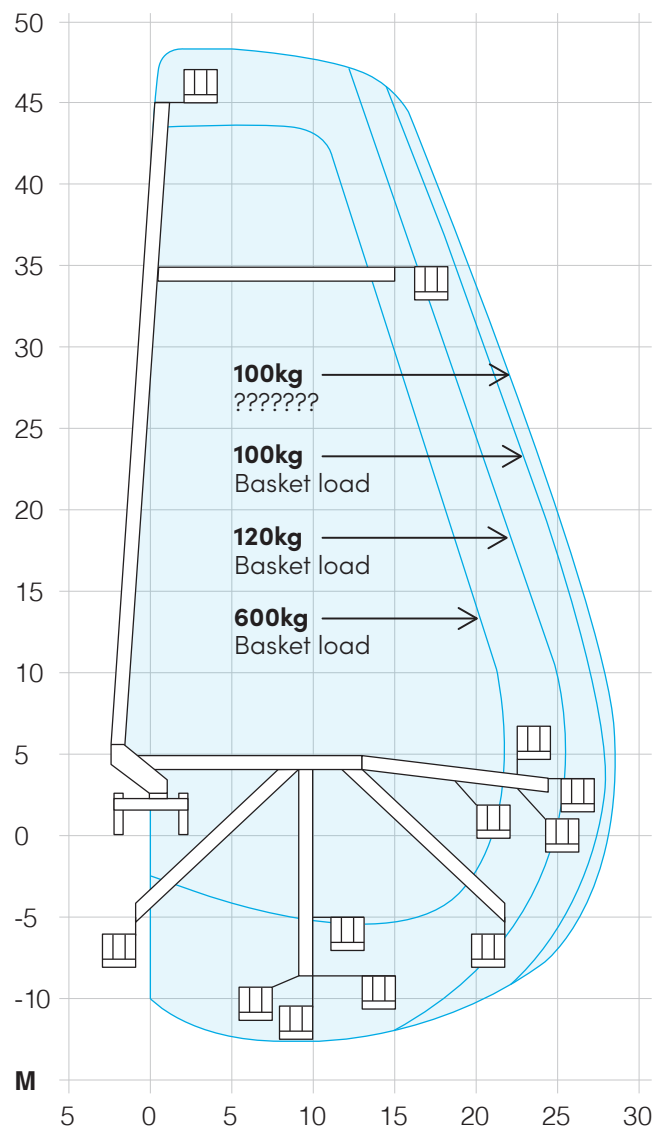
18 tonne GVW (Operated Only)

48 metre Palfinger


Max working height	48.0m
Platform height	46.0m
Outreach	28.0m
SWL	600kg
Travel width	2.50m
Travel length	9.90m
Travel height	3.93m
Dimensions	3.88 x 1.05 x 1.1m
GVW	18 tonne




The 48m Palfinger's full range of movement can be seen in the graph above.



For more information, or to hire this vehicle please contact;

 0161 233 8100

 info@nssgroup.com