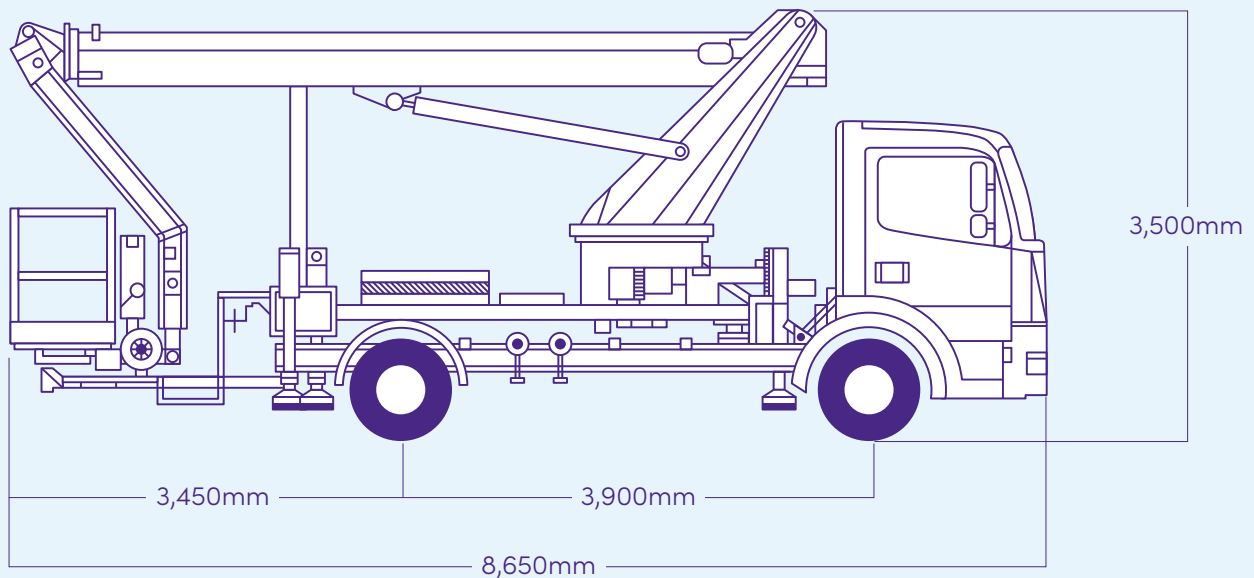


30 metre Palfinger

7.5 tonne GVW (Operated Only)

- Up & over capability for ease of access to roofs
- Variable jacking – one sided, narrow / fully extended
- Zero tail-swing for work on highways
- Telescopic boom for maximum outreach

The 30m Palfinger Wumag Access Platform offers maximum flexibility for working in modern city or town centres combining exceptional outreach and flexibility. The unique counter slewing system allows it to achieve maximum manoeuvrability with minimum tail swing.

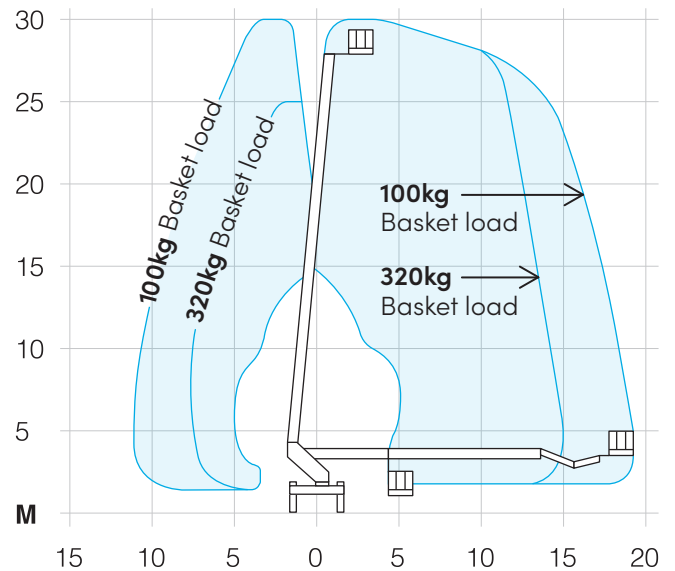


30 metre Palfinger


7.5 tonne GVW (Operated Only)


30 metre Palfinger

Max working height	30.0m
Platform height	28.0m
Outreach	19.5m
SWL	320 / 100kg
Platform rotation	80° + 80°
Slewing range	540°
Jack width	5.0 / 2.5m
Travel width	2.50m
Travel length	8.65m
Travel height	3.50m
Dimensions	1.6 x 0.8 x 1.1m
GVW	7.5 tonne



For more information, or to hire this vehicle please contact;

 0161 233 8100

 info@nssgroup.com