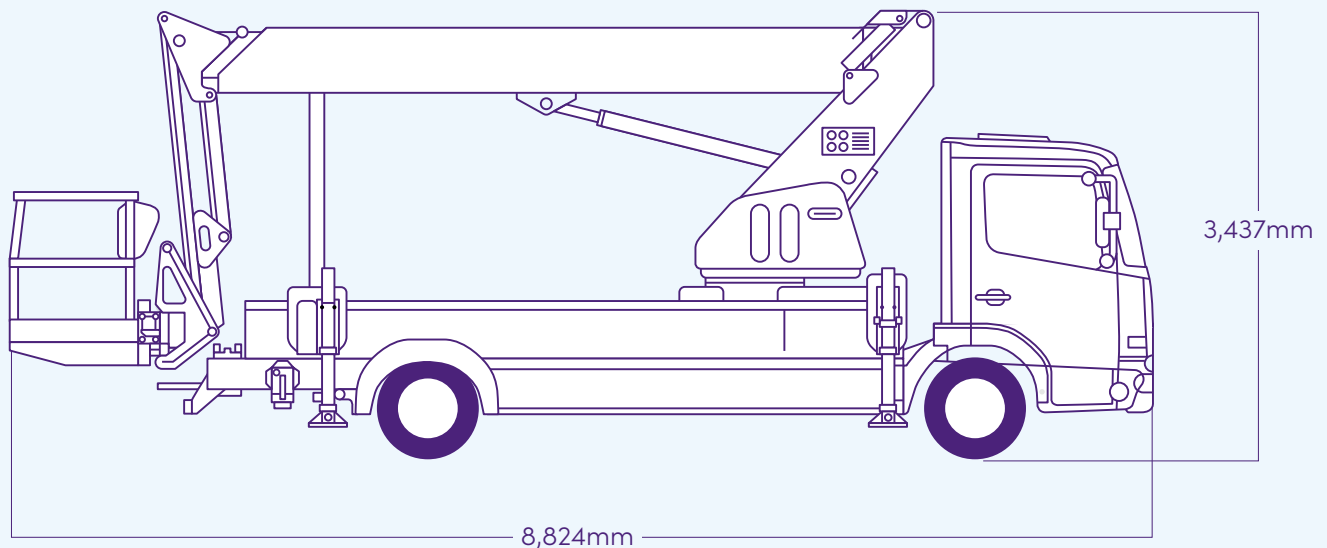


# 22 metre Ascendant

7.5 tonne GVW (Cat C1 Driving Licence)

- Variable jacking widths
- Hydraulic outriggers
- 110v Outlet in the cage
- 160° Cage rotation

The 22m Ascendant is designed to meet today's most challenging demands. The telescopic work platform is a safe, simple and reliable solution to your high level maintenance problems. The compact, rigid boom design and H type outriggers ensure you work comfortably in the most confined spaces.

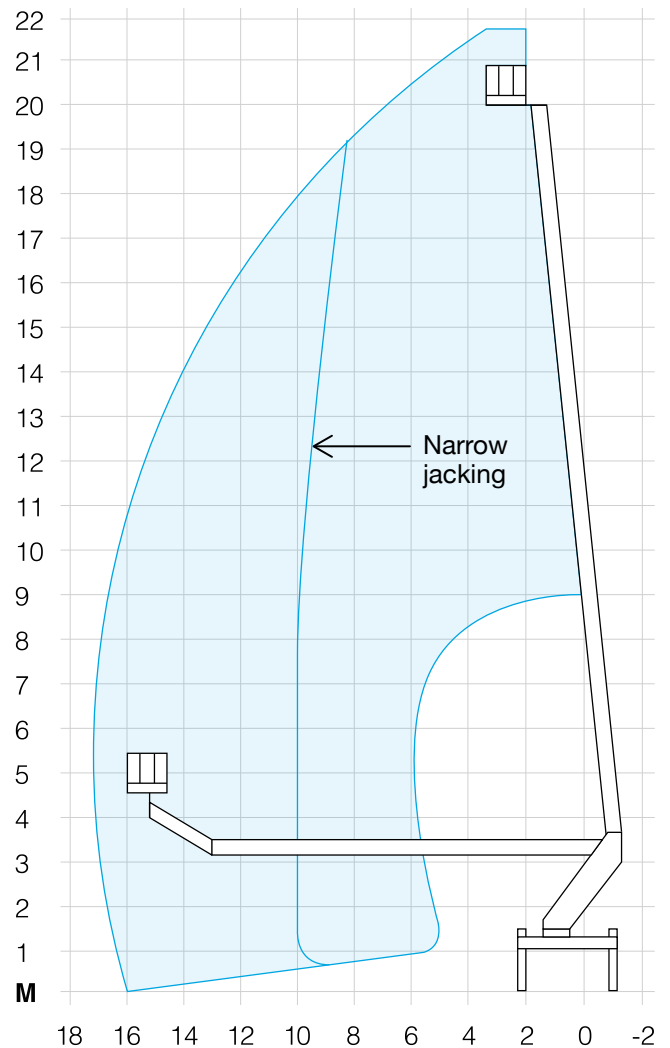


# 22 metre Ascendant


7.5 tonne GVW (Cat C1 Driving Licence)


## 22 metre Ascendant

Max working height	<b>22.0m</b>
Platform height	<b>20.0m</b>
Outreach	<b>17.5m</b>
SWL	<b>280kg</b>
Rotation	<b>160°</b>
Outreach with Narrow Jacking	<b>10.0m</b>
Jack width	<b>4.1m</b>
Narrow jack option	<b>2.7m</b>
Dimensions	<b>1.0 x 1.8 x 1.1m</b>
GVW	<b>7.5 tonne</b>



For more information, or to hire this vehicle please contact;

 0161 233 8100

 [info@nssgroup.com](mailto:info@nssgroup.com)