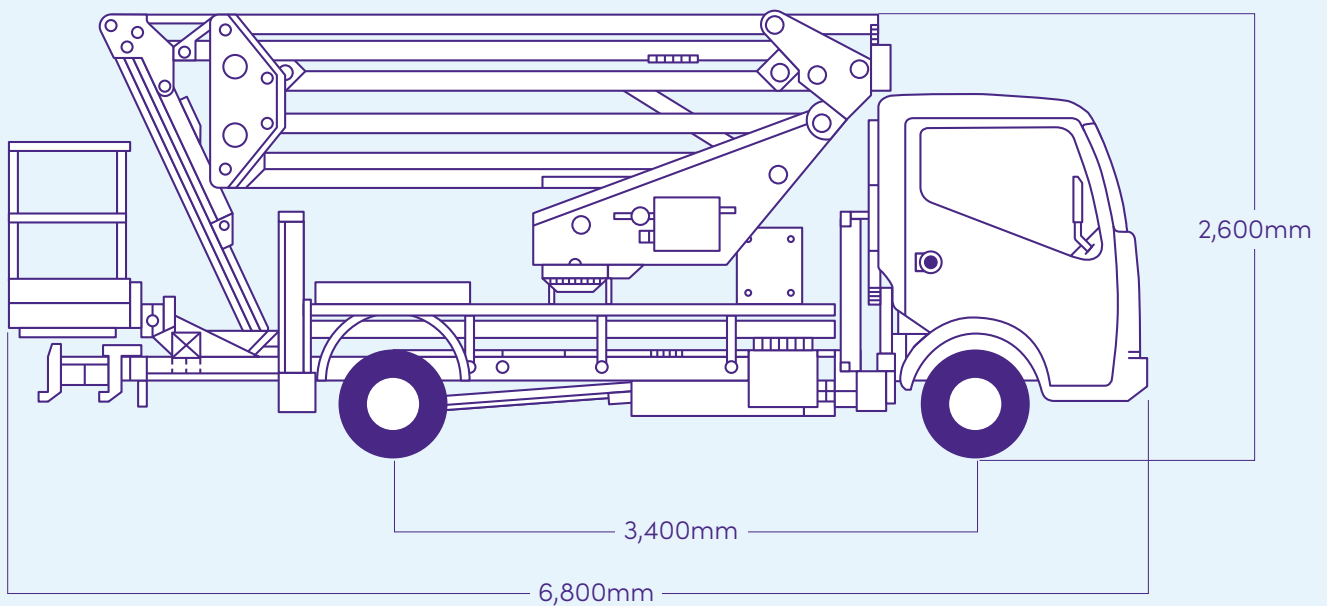


21 metre CTE

3.5 tonne GVW (Cat B Driving Licence)

- Up to 9.5m up & over outreach with zero tailswing
- Proven 'Z' control system and features: simple proportional controls, basket load sensing, load sensitive outrigger interlocks and zero tailswing

The 21m CTE is a popular machine, featuring the renowned sigma / 2-stage-telescopic boom. With outreach of up to 21m, and a very small set up area this Truck Mounted Access Platform is very versatile, ideal to use on busy locations and tight access areas.

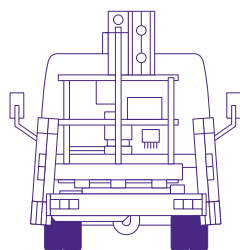


21 metre CTE

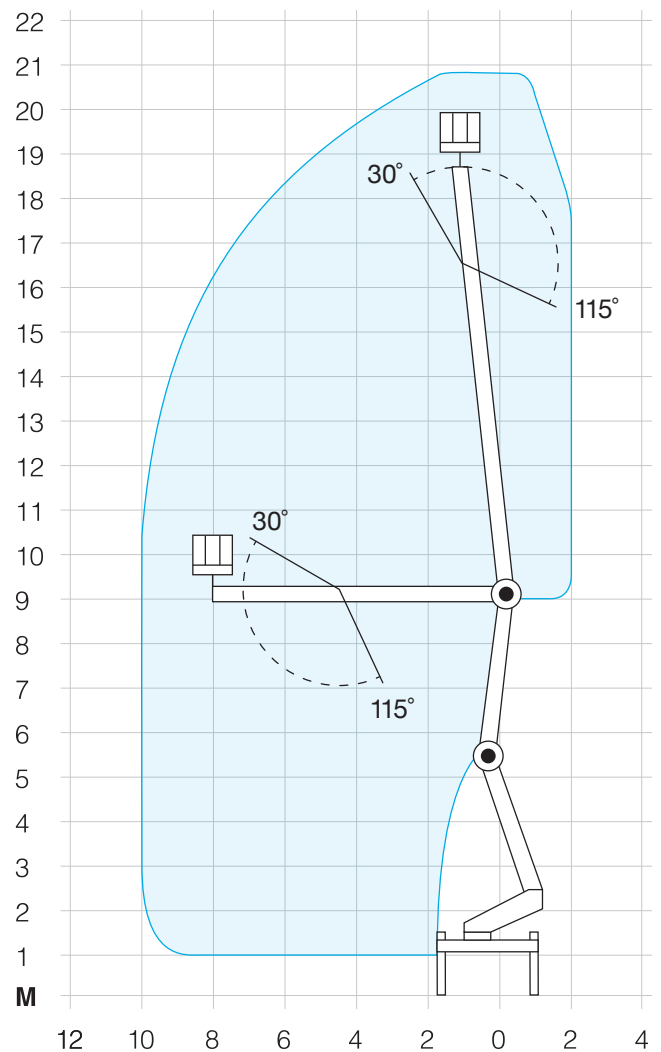
3.5 tonne GVW (Cat B Driving Licence)

21 metre CTE


Max working height	20.7m
Platform height	18.7m
Outreach	10.0m
SWL	300kg
Rotation	360° continuous
Basket rotation	65° + 65°
Travel width	2.3m
Travel length	6.8m
Travel height	2.6m
Dimensions	1.4 x 0.7 x 1.1m
GVW	3.5 tonne




2,100mm



For more information, or to hire this vehicle please contact;

 0161 233 8100

 info@nssgroup.com